

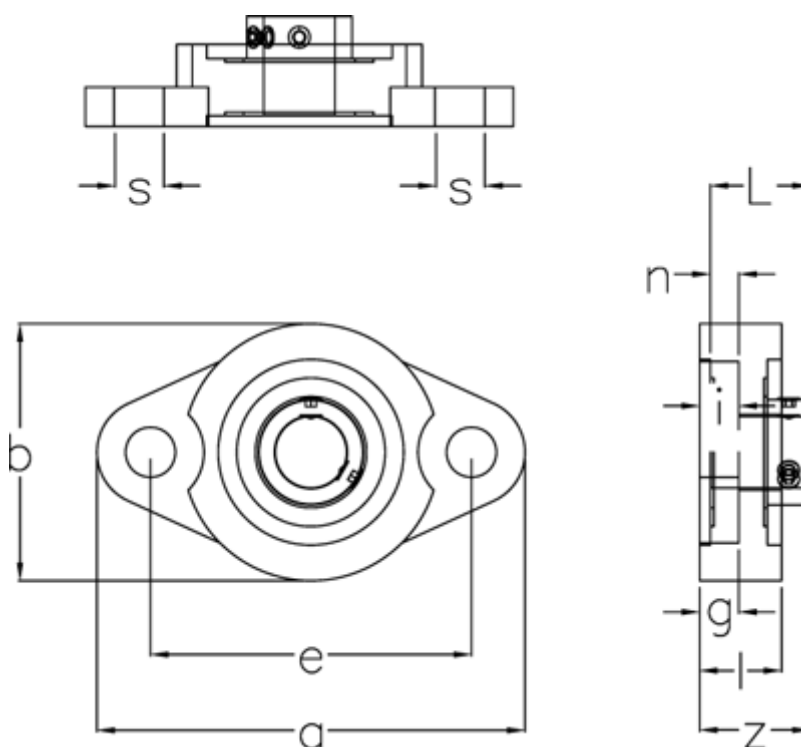
Data Sheet



Article number: 5425061005

Description: 2 hole Flange Unit KFL005 for shaft $\varnothing 25\text{mm}$
Housing alu, bearing steel, extra small

Measures



a	= 95	l	= 16.0
b	= 60	L	= 22.5
Bearing	= K005	Nominal drive	= 6.0
Bolt size	= M8	s	= 10
e	= 75	Weight	= 0.27
g	= 8.0	z	= 24.5
Housing	= FL05-6		
i	= 8.0		